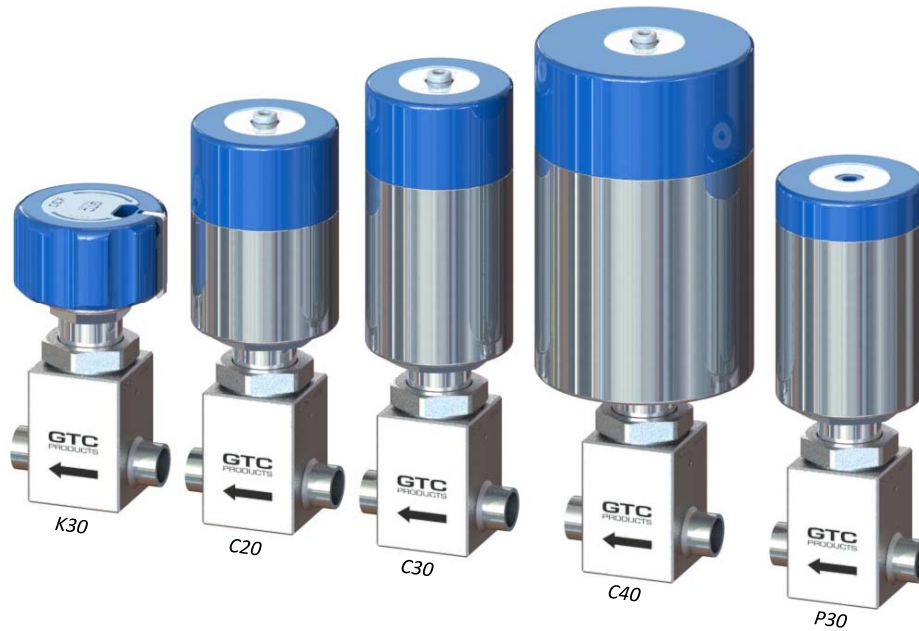


UHP DV4 Diaphragm Valves

“Bulk Flow” Series



GTC Features

- Compact 1/2” Diaphragm Valve Design
- Serviceable, Modular Valves with Replaceable Seat Capsules
- Pneumatic N.C. Actuators with Pop-Up Status Indicators
- Manual Actuator with Metal Handle, Positive Stop, and LOTO
- Replaceable Actuators without exposing wetted areas to atmosphere
- Multi-port Configurations available

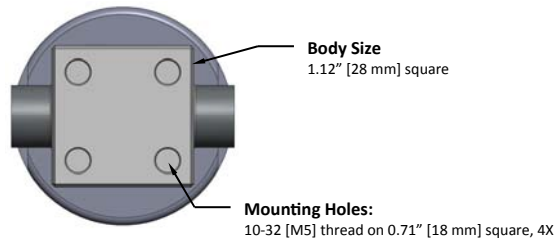


Technical Data

Specification	K30	C20	C30	C40	P30
Actuation Type	Manual 1/2 Turn, LOTO	Pneumatic N.C.	Pneumatic N.C.	Pneumatic N.C.	Pneumatic N. Open
Actuation Port	n/a	1/8” OD Tube	1/8” OD Tube	1/8” OD Tube	10-32/M5
Actuation Pressure	n/a	70 to 120 psig	70 to 120 psig	70 to 120 psig	70 to 120 psig
Operating Pressure	Vac to 1500 psig*	Vac to 250 psig	Vac to 1000 psig*	Vac to 1500 psig*	Vac to 500 psig
Flow Coefficient Cv	1.0				
Differential Back Pressure*	500 psid Max				
Proof / Burst Pressure	3000 / 6000 psig				
Internal Volume	5.4 cc				
Operating Temperature	-20° to 150° F (Vespel seat option: -20° to 300° F)				
Helium Leak Rate	1 x 10 ⁻⁹ scc/s He				
Wetted Surface Roughness	< 10 Ra Average				
Wetted Surface Chemistry	Cr/Fe ≥ 2.0, CrO/FeO ≥ 3.0				
Wetted Surface Body Mat'l	316L VAR Stainless Steel				
Wetted Surface Other Mat'l	Diaphragm: Elgiloy™, Seat: PCTFE (optional Vespel™), Seat Disc: 17-4 PH SS				

Dimensions

Specification	K30	C20	C30	C40	P30
Overall Height (H)	3.5" [89 mm]	4.8" [123 mm]	5.6" [142 mm]	6.5" [165 mm]	5.1" [129 mm]
Actuator Diameter (D)	1.75" [44 mm]	1.69" [43 mm]	1.69" [43 mm]	2.50" [64 mm]	1.69" [43 mm]
Tube Stub Length (L)			0.880" [22.3 mm]		
1/2" Female Face Seal Length (L)			1.49" [38 mm]		
1/2" Male Face Seal Length (L)			2.16" [55 mm]		
3/4" Face Seal (L)			2.40" [61 mm]		



Ordering Information: C30-DV4-2A-TXTX-VS

Actuator

- C20** - Pneumatic, N.C., 250 psig
- C30** - Pneumatic, N.C., 1000 psig
- C40** - Pneumatic, N.C., 1500 psig
- K30** - Manual, 1/2 Turn, LOTO, 1500 psig
- P30** - Pneumatic, Normally Open, 500 psig

Body Series

- DV4** - Bulk Series

Porting

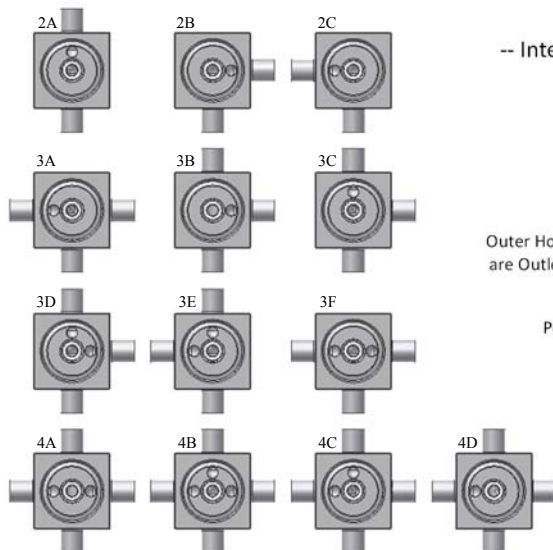
1 2 3 4
Ports

Options

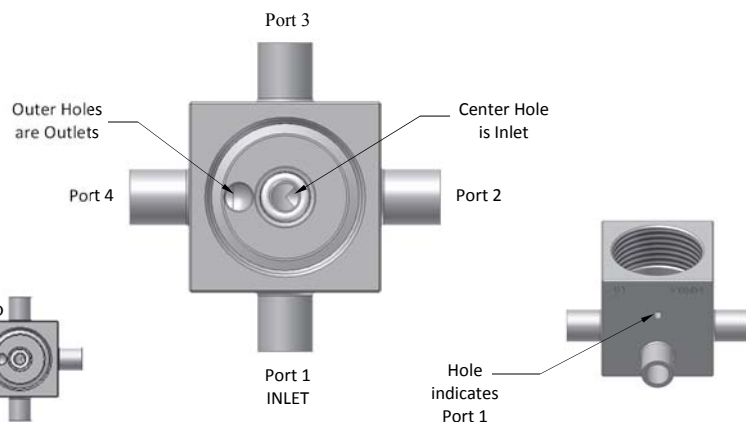
- VS** - Vespel™ Seat
- BK** - Black Handle Color
- GR** - Green Handle Color
- RD** - Red Handle Color
- WH** - White Handle Color
- YW** - Yellow Handle Color

Connections

- X** - (No port)
- T** - 1/2" Tube Stub
- M** - 1/2" Male Face Seal
- F** - 1/2" Female Face Seal
- M12** - 3/4" Male Face Seal
- F12** - 3/4" Female Face Seal



-- Internal Top View --



GTC PRODUCTS
www.gtc-products.com

TEESING